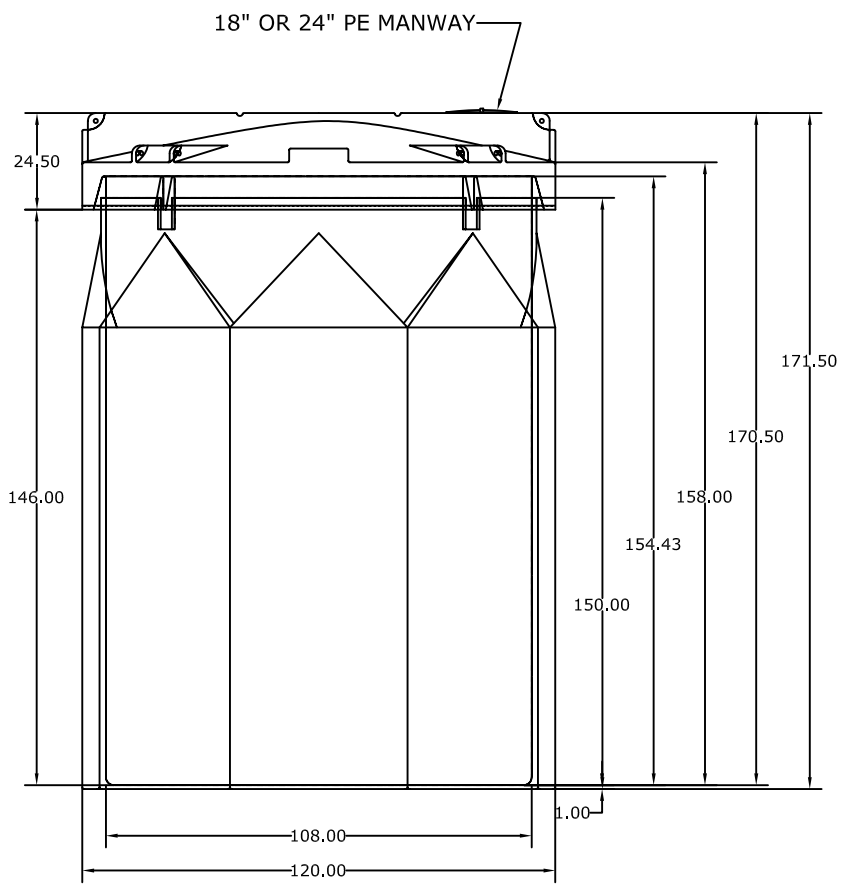
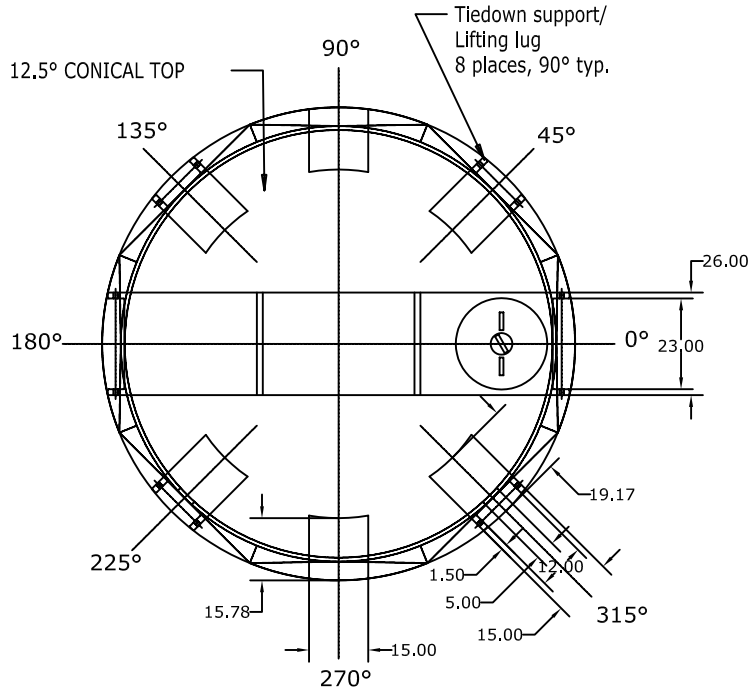


This drawing and design is the property of SIERRA SALES.
 It shall not be used for any purpose other than by the owner.
 SIERRA does not authorize the reproduction or conveyance
 without their permission of any information contained herein.

P.O. #	5500 GALLON DOUBLE WALL TANK			ARTICLE/REFERENCE:	
Designed by C.GORTON	Checked by CHECKEDBY	Approved by - date APPROVED_BY_DATE	File name CCS-L	Date DATE	Scale NTS
SIERRA PHILADELPHIA, PA USA 215-258-5602			PN 5660 5500 GALLON DOUBLE WALL TANK		
			DWG.NO.:	Revision 0	Sheet 1/1

ALL DIMENSIONS IN INCHES



RevNo	Revision note	Date	Signature	Checked